

3.96mm(.156")Wire To Wire And Wire To Board Connector

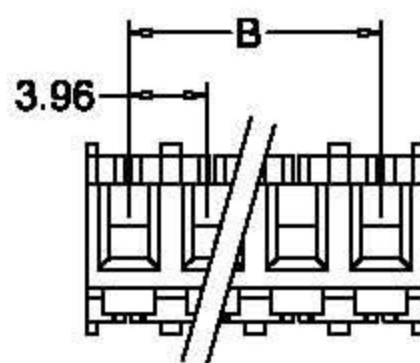
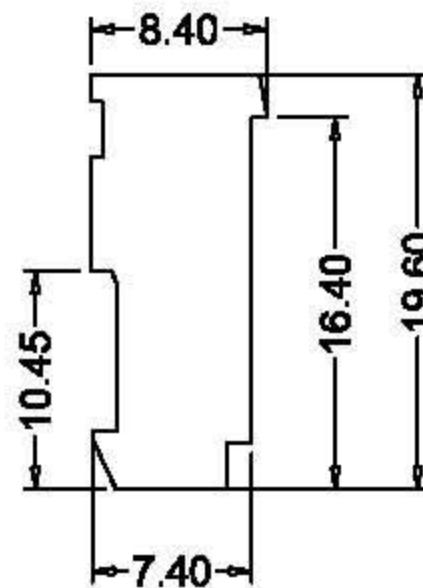
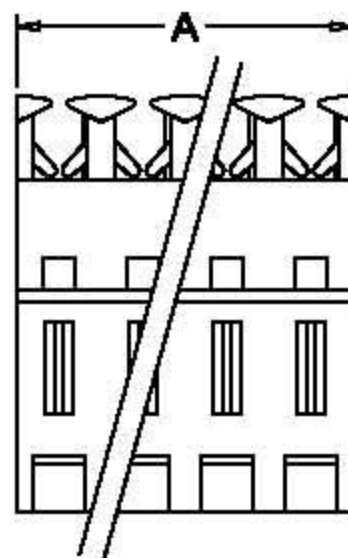
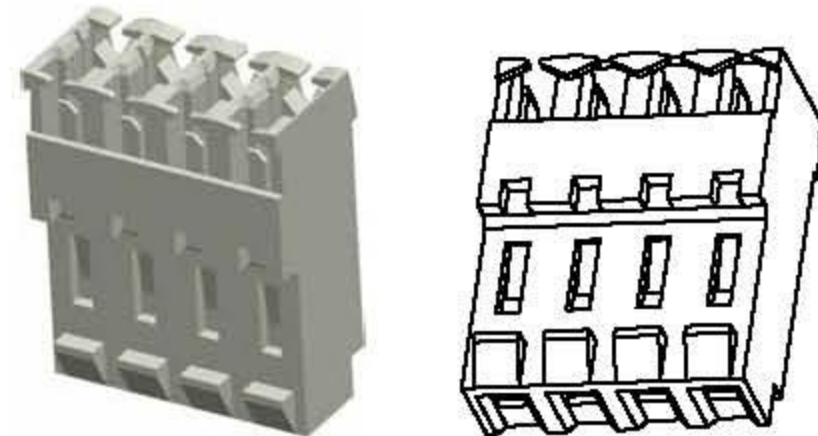


Shenzhen Hongru Connector Co., Ltd

Email: yukyli@hrb-connector.com
 Tel: 86-0755- 2709 6669
 Fax: 86-0755-2709 2392
 Skype: haiyuncheng-vivian
 Mobile(Whatsapp): 86-186 8112 3590
 Website: <http://www.hrb-connector.com>

SPECIFICATIONS:

- Current Rating:7AAC,DC
- Voltage Rating:600V AC,DC
- Operating Temperature:-25℃~+85℃
- Contact Resistance:10mΩ max.
- Insulation Resistance:5000MΩ Min.
- Withstanding Voltage:2200V AC/minute
- UL File No:E304945
- Material:Housing:Nylon66 UL94V-2
Terminal:Brass, Tin plated



Color	Wire size
Natural	AWG#18
	AWG#20
	AWG#22
	AWG#24

Ordering Information And Dimensions

Part NO.		Dimensions		Part NO.		Dimensions		Part NO.		Dimensions	
TYP UL94V-2	Circuits	Dim:A	Dim:B	TYP UL94V-2	Circuits	Dim:A	Dim:B	TYP UL94V-2	Circuits	Dim:A	Dim:B
M7060(I)R-2	2	7.92	3.96	M7060(I)R-9	9	35.64	31.68	M7060(I)R-16	16	63.31	59.40
M7060(I)R-3	3	11.88	7.92	M7060(I)R-10	10	39.60	35.64	M7060(I)R-17	17	67.12	63.36
M7060(I)R-4	4	15.84	11.88	M7060(I)R-11	11	43.41	39.60	M7060(I)R-18	18	71.08	67.32
M7060(I)R-5	5	19.80	15.84	M7060(I)R-12	12	47.37	43.56	M7060(I)R-19	19	75.04	71.28
M7060(I)R-6	6	23.76	19.80	M7060(I)R-13	13	51.33	47.52	M7060(I)R-20	20	78.90	75.24
M7060(I)R-7	7	27.72	23.76	M7060(I)R-14	14	55.29	51.48				
M7060(I)R-8	8	31.68	27.72	M7060(I)R-15	15	59.35	55.44				

